

PRODUCT DATASHEET

L 58 W/6500K

LUMILUX T8 | Tubular fluorescent lamps 26 mm, with G13 bases



AREAS OF APPLICATION

- Public buildings
- Office lighting
- Industry
- Shops
- Supermarkets and department stores
- Street lighting
- Outdoor applications only in suitable luminaires

PRODUCT BENEFITS

- Proven lamp technology
- Good economy thanks to high efficiency
- Available in many different light colors (2,700...8,000 K) for various applications

PRODUCT FEATURES

- Very good lumen maintenance: 90 % throughout the service lifetime of the lamp
- Good color rendering group: 1B (R_a : 80...89)
- Dimmable
- Top-quality three-band phosphor: LUMILUX



TECHNICAL DATA

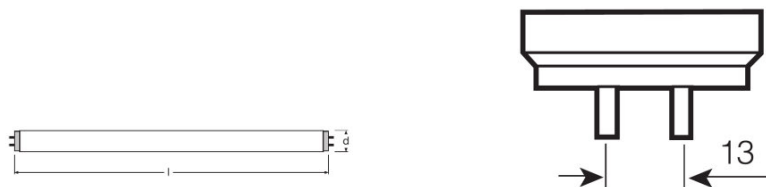
Electrical data

Nominal voltage	220 V
Rated lamp efficacy (HF data 25 °C)	Under clarification by authority and standardization body
Rated wattage	58.00 W
Nominal wattage	58.00 W

Photometrical data

Color rendering index Ra	≥80
Rated luminous flux	5000 lm
Luminous flux at 25 °C	5000 lm
Light color	865
Rated color temperature	6500 K
Nominal luminous flux	5000 lm
Color temperature	6500 K
Luminous flux	5000 lm
Color rendering index Ra	≥80

Dimensions & weight



G13
IEC 7004-51
DIN 49653 T1

Tube diameter	26 mm
Length	1500 mm
Length with base excl. base pins/connection	1500.00 mm
Diameter	26.0 mm

Lifespan

Service life	18000 h ¹⁾
Lifespan	20000 h ¹⁾

¹⁾ With preheat ECG

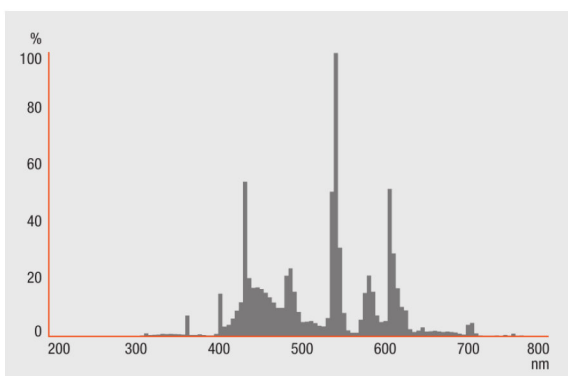
Additional product data

Base (standard designation)	G13
Mercury content	4.5 mg
Show WEEE picto	Yes

Capabilities

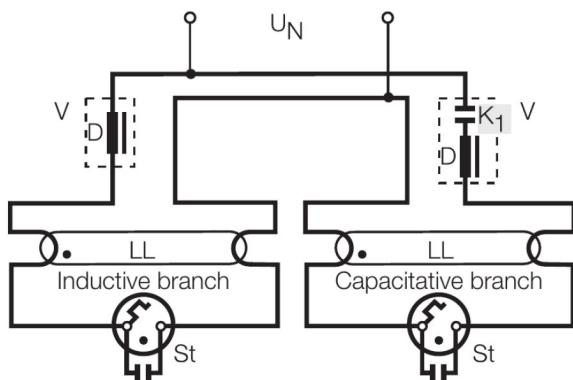
Dimmable	Yes
-----------------	-----

Light Distribution



Spectral power distribution

Wiring Diagram



Wiring diagram

SYSTEM GUARANTEE

- OSRAM System+ Guarantee in combination with OSRAM ECGs

SAFETY ADVICE

In case of lamp breakage: www.ledvance.com/brokenlamp

LOGISTICAL DATA

Product code	Packaging unit (Pieces/Unit)	Dimensions (length x width x height)	Gross weight	Volume
4008321691101	Sleeves 1	1515 mm x 29 mm x 29 mm	248.00 g	1.27 dm ³
4008321691118	Shipping carton box 25	1553 mm x 151 mm x 153 mm	6602.00 g	35.88 dm ³

The mentioned product code describes the smallest quantity unit which can be ordered. One shipping unit can contain one or more single products. When placing an order, for the quantity please enter single or multiples of a shipping unit.

REFERENCES / LINKS

For more information on the system guarantee and the terms and conditions of the guarantee visit

- ▶ www.ledvance.com/system-guarantee

DISCLAIMER

Subject to change without notice. Errors and omission excepted. Always make sure to use the most recent release.